

# ELECTRONIC OUTSIDE MICROMETER WITH INTERCHANGEABLE ANVILS

**IP54**  
WATERPROOF

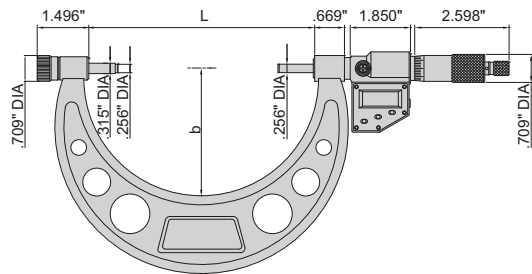
**DATA**  
OUTPUT



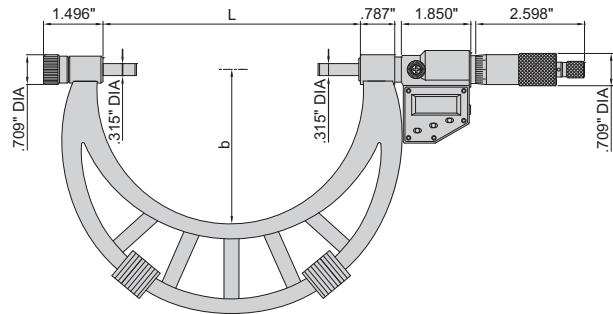
**3506-100E**



**3506-400E**

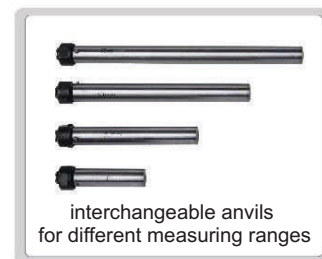


**type A**



**type B**

- Resolution: .0001"/0.001mm (resolution of **3506-100E** and **3506-150E** is .00005"/0.001mm)
- IP54 dust/waterproof
- Button function: on/off, set, inch/mm, ABS/INC, data output
- Data output
- SR44 or LR44 battery, automatic power off
- Ratchet stop
- Carbide measuring faces
- Supplied with setting standards
- Optional accessory: data output system (part no. **7306-30**, **7302-SPC2A**, **7305-SPC3**)



Part No.	Range	Type	Accuracy	L	b
<b>3506-100E</b>	0-4"/0-100mm	A	±.00020"	4.134"	2.244"
<b>3506-150E</b>	0-6"/0-150mm	A	±.00024"	6.102"	3.228"
<b>3506-300E</b>	6-12"/150-300mm	A	±.00031"	12.008"	6.496"
<b>3506-301E</b>	8-12"/200-300mm	A	±.00031"	12.008"	6.496"
<b>3506-400E</b>	12-16"/300-400mm	B	±.00035"	15.945"	8.819"
<b>3506-500E</b>	16-20"/400-500mm	B	±.00043"	19.882"	10.827"
<b>3506-600E</b>	20-24"/500-600mm	B	±.00047"	23.819"	12.638"
<b>3506-700E</b>	24-28"/600-700mm	B	±.00051"	27.756"	14.606"
<b>3506-800E</b>	28-32"/700-800mm	B	±.00059"	31.693"	16.772"
<b>3506-900E</b>	32-36"/800-900mm	B	±.00063"	35.630"	18.740"
<b>3506-1000E</b>	36-40"/900-1000mm	B	±.00067"	39.567"	22.677"