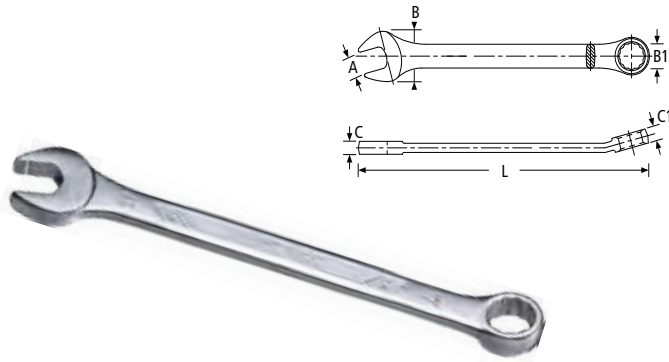


COMBINATION WRENCH (CWF)



- ASME B107.17M, ASME B107.100, ASME B107.6
- Maxi-Drive™ system helps reduce fastener rounding
- Anti-slip design on open-end
- large design
- Matt finishing
- Chrome vanadium steel
- 12-point ring angled at 15°



Retail SKU #	Bulk SKU #	Description	A (mm)	L (mm)	B (mm)	BI (mm)	C (mm)	Cl (mm)	Weight (kg)	Box Qty
STMT72803-8	STMT72803-8B	Combination Wrench 6 mm	6	101	15.6	11.5	4.5	6.2	0.022	10
STMT72804-8	STMT72804-8B	Combination Wrench 7 mm	7	108	17.3	11.5	4.7	6.6	0.026	10
STMT72805-8	STMT72805-8B	Combination Wrench 8 mm	8	111	19.6	13.9	4.9	6.7	0.031	10
STMT72806-8	STMT72806-8B	Combination Wrench 9 mm	9	123	20.8	16.2	5.1	7.1	0.039	10
STMT72807-8	STMT72807-8B	Combination Wrench 10 mm	10	131	22	16.2	5.5	7.4	0.045	10
STMT72808-8	STMT72808-8B	Combination Wrench 11 mm	11	147	24.2	17.9	6.3	7.9	0.064	10
STMT72809-8	STMT72809-8B	Combination Wrench 12 mm	12	155	25.7	19	6.5	8.3	0.074	10
STMT72810-8	STMT72810-8B	Combination Wrench 13 mm	13	164	27.2	20.3	7.1	8.7	0.087	10
STMT72811-8	STMT72811-8B	Combination Wrench 14 mm	14	182	30.8	22.3	7.7	9.2	0.124	10
STMT72812-8	STMT72812-8B	Combination Wrench 15 mm	15	192	32.4	23.5	8.0	9.7	0.140	10
STMT72813-8	STMT72813-8B	Combination Wrench 16 mm	16	202	34	24.7	8.2	10.3	0.159	10
STMT72814-8	STMT72814-8B	Combination Wrench 17 mm	17	223	37.8	26.9	8.6	10.7	0.193	10
STMT72815-8	STMT72815-8B	Combination Wrench 18 mm	18	234	39.3	28.2	8.8	11.3	0.222	10
STMT72816-8	STMT72816-8B	Combination Wrench 19 mm	19	246	40.8	29.2	9.0	11.8	0.238	10
STMT72817-8	STMT72817-8B	Combination Wrench 20 mm	20	258	42.2	30.5	9.2	12.2	0.263	10
STMT72818-8	STMT72818-8B	Combination Wrench 21 mm	21	271	43.6	31.8	9.5	12.6	0.294	10
STMT72819-8	STMT72819-8B	Combination Wrench 22 mm	22	296	46	33.8	10.0	13.1	0.361	5
STMT72820-8	STMT72820-8B	Combination Wrench 23 mm	23	308	47.5	34.9	10.4	13.5	0.385	5
STMT72821-8	STMT72821-8B	Combination Wrench 24 mm	24	321	49	36	10.8	13.9	0.435	5
-	STMT72822-8B	Combination Wrench 25 mm	27	343	52	38.1	11.5	14.6	0.516	5
-	STMT72823-8B	Combination Wrench 26 mm	30	343	52	38.1	11.5	14.6	0.506	5
-	STMT72824-8B	Combination Wrench 27 mm	32	375	56	40.5	12.5	15.7	0.516	5
-	STMT72825-8B	Combination Wrench 28 mm	28	395	58	42.8	13.2	16.7	0.723	5
-	STMT72826-8B	Combination Wrench 29 mm	29	395	58	42.8	13.2	16.7	0.72	5
-	STMT72827-8B	Combination Wrench 30 mm	30	395	58	42.8	13.2	16.7	0.703	5
-	STMT72828-8B	Combination Wrench 32 mm	32	429	65.7	47.4	14.0	18.7	0.963	5



“ THE PATENTED ANTI-SLIP FEATURE ON THE COMBINATION WRENCH HAS DEFINITELY SAVED MY KNUCKLES MORE TIMES THAN I CAN COUNT. THOSE IN OUR INDUSTRY KNOW HOW IMPORTANT THIS INJURY-PROOF CHARACTERISTIC IS. ”