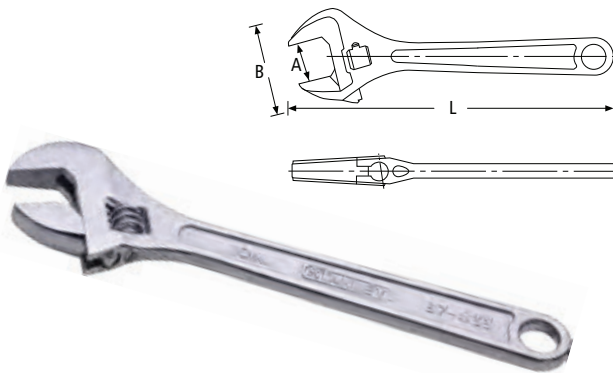


## ADJUSTABLE WRENCH

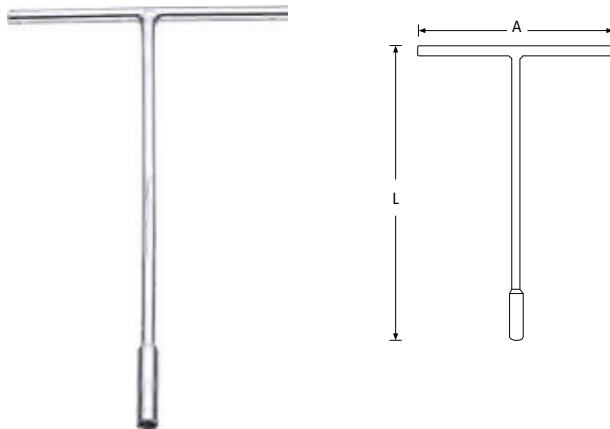


- ASME B107.100, ASME B107.8
- Adjustable jaw design allows tool to grip many fastener sizes
- Knurl adjusting mechanism for quick and precise adjustments
- Built-in tension spring stabilizes movable jaw
- Forged chrome vanadium steel is strong and durable
- Polished chrome head and chrome-plated body for anti-corrosion protection
- Laser-etched SAE and mm jaw scale for easy size adjustment
- Lightweight handle design



SKU #	Description	A (mm)	L (mm)	B (mm)	Weight (kg)	Box Qty
87-430-1-S	Adj. Wrench 100mm	-	100mm / 4"	-	-	6
STMT87431-8	Adj. Wrench 150mm	≤19.3	150mm / 6"	19	0.14	6
STMT87432-8	Adj. Wrench 200mm	≤24	200mm / 8"	24	0.28	6
STMT87433-8	Adj. Wrench 250mm	≤30	250mm / 10"	29	0.41	6
STMT87434-8	Adj. Wrench 300mm	≤36	300mm / 12"	34	0.71	6
STMT87435-8	Adj. Wrench 375mm	≤46	375mm / 15"	43	1.42	4

## T - HANDLE



- ASME B107.5M, DIN 3124, ISO 691
- Cr-V steel
- Full polished finishing
- For deep access
- Thin wall socket design



SKU #	Description	Size (mm)	L (mm)	A (mm)	Weight (kg)	Box Qty
STMT93302-8	T-handle 8mm	8	310	200	0.306	10
STMT93303-8	T-handle 9mm	9	310	200	0.312	10
STMT93304-8	T-handle 10mm	10	310	200	0.32	10
STMT93305-8	T-handle 11mm	11	310	200	0.322	10
STMT93306-8	T-handle 12mm	12	310	200	0.326	10
STMT93307-8	T-handle 13mm	13	310	250	0.36	10
STMT93308-8	T-handle 14mm	14	310	250	0.374	10
STMT93309-8	T-handle 17mm	17	310	250	0.552	10
STMT93311-8	T-handle 19mm	19	310	250	0.564	10