

Ball Bearing Separator

- drop forged
- chrome finish

Art. 7741
 - bolt size: Ø 9,5 x 125 mm
 - bolt thread: 3/8" x 24 UNF
 - body thread: 3/8" x 16 UNC

Art. 7749
 - bolt size: Ø 12,7 x 135 mm
 - bolt thread: 1/2" x 20 UNF
 - body thread: 3/8" x 16 UNC

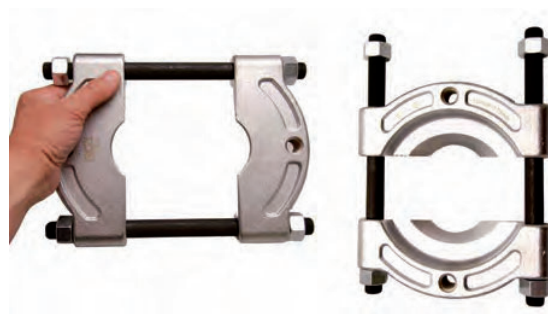
Art. 7742
 - bolt size: Ø 16 x 165 mm
 - bolt thread: 5/8" x 18UNF
 - body thread: 1/2" x 13UNC

BGS 8767
 - bolt size: Ø 19 mm, 260 mm
 - bolt thread: 3/4" x 16 UNF
 - body thread: 5/8" x 11 UNC

BGS 8768
 - bolt size: Ø 25.5 mm, 350 mm
 - bolt thread: 1" x 12 UNF
 - body thread: 3/4" x 10 UNC

PRO +

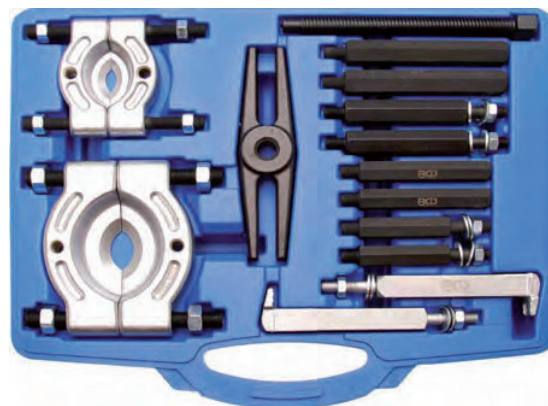
Item #	Description
7741	Ball Bearing Separator, 30-50 mm
7749	Ball Bearing Separator, 50-75 mm
7742	Ball Bearing Separator, 75-105 mm
8767	Ball Bearing Separator, 100 - 150 mm
8768	Ball Bearing Separator, 150 - 200 mm



Pullers

14-piece Splitting Knife Set for Ball Bearing Assemblies

- incl. shifter
- incl. 2 splitting knives: 30-50 mm and 50-75 mm
- for removing bearings, internal rings and other tightly and narrowly mounted parts



Item #
7750